

Foamtips

Product# CF50, CF1050, CF2050, CF3050, CF4050

Product Description

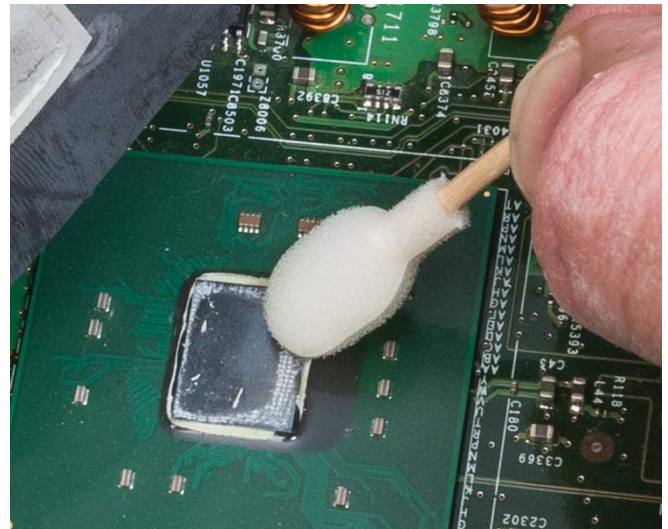
The Chemtronics Foamtips Swabs are constructed from medical grade foam which features the best open cell structure, providing excellent particle entrapment characteristics. The foam is thermally bonded to the swab handle without using adhesives. These swabs are ideal for general cleaning applications.

- Traps surface particles while cleaning
- High solvent capacity; holds solvent well
- Fiberless construction does not generate loose fibers or particles
- No adhesives or binders are used in the construction
- Economical for high quantity applications

Typical Applications

Chemtronics Foamtips Swabs can be used to:

- Clean excess adhesives after gluing
- Remove contamination from disk drives
- Micro mechanical cleaning
- Maintenance and care of fax machines VCR's PC's printers, and copiers
- Remove flux residue from printed circuit boards
- Good for general purpose cleaning



Compatibility

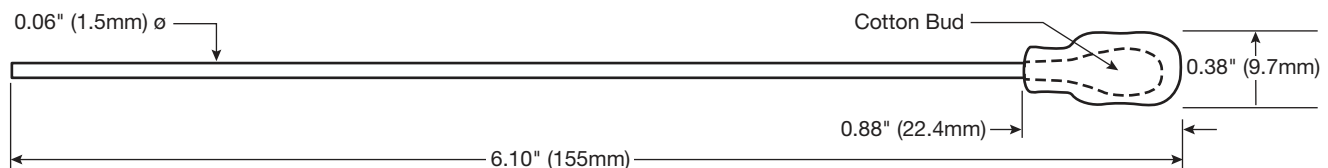
Foam Heads are compatible with most common solvents such as isopropyl alcohol, and methanol. Not recommended for use with ketones such as acetone or methyl ethyl ketone.

Polypropylene Handles (CF1050, CF2050, CF3050, CF4050) are generally compatible with all common solvents including most dilute or weak acids.

Wood Handles (CF50) are compatible with all common solvents and are static neutral.

Shelf Life

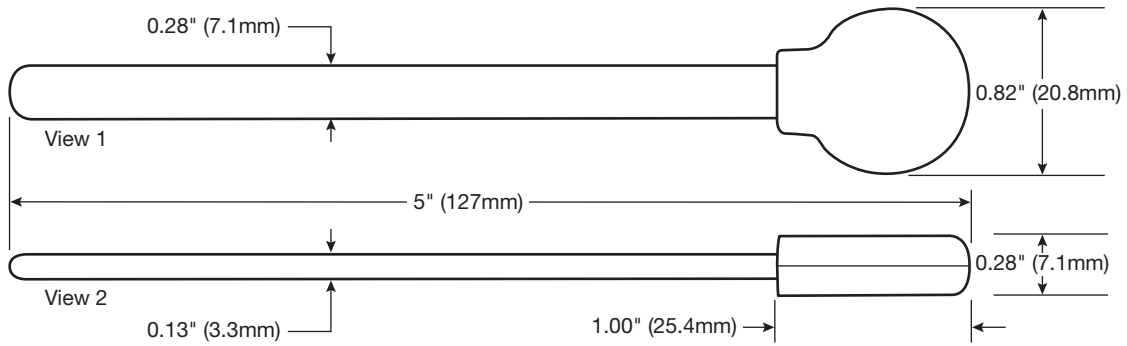
5 Years from date of manufacture.



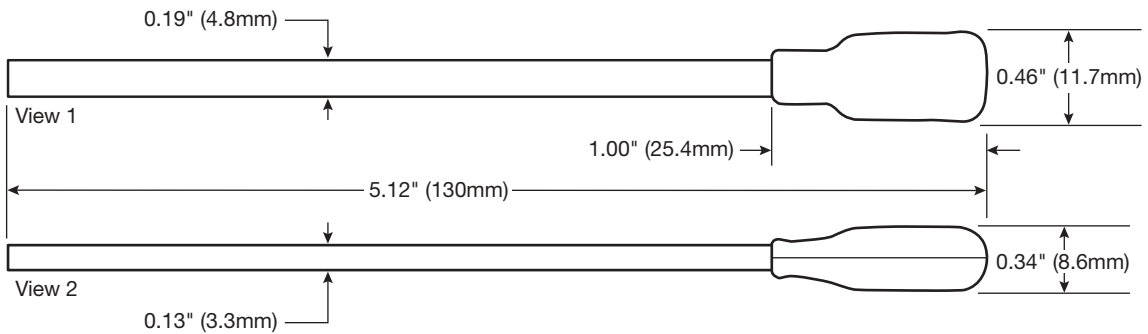
CF50

Foamtips

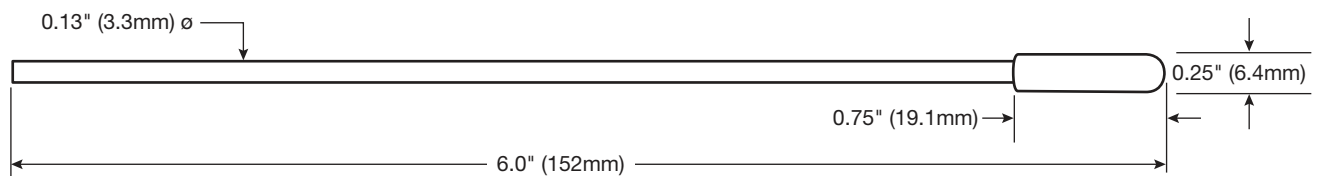
Product# CF50, CF1050, CF2050, CF3050,
CF4050



CF1050



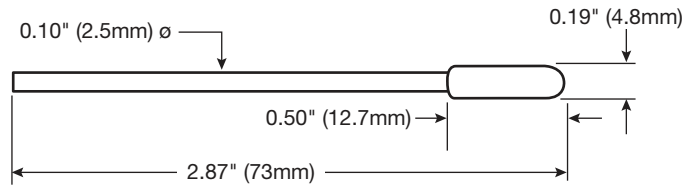
CF2050



CF3050

Foamtips

Product# CF50, CF1050, CF2050, CF3050,
CF4050



CF4050

Availability

- CF50 6-1/8" swab with wood handle, foam over cotton head
50 swabs / bag
- CF1050 5" round foamtip swab, polypropylene handle, 1" head
50 swabs / bag
- CF2050 5" rectangular foamtip swab, polypropylene handle, 1" x 1/2" head
50 swabs / bag
- CF3050 6" foamtip swab, polypropylene handle, 3/4" x 1/4" head
50 swabs / bag
- CF4050 2-7/8" foamtip swab, polypropylene handle, 1/2" x 3/16" head
50 swabs / bag

Technical and Application Assistance

Chemtronics provides a technical hotline to answer your technical and application related questions.
The toll free number is: 1-800-TECH-401.

Note:

This information is believed to be accurate. It is intended for professional end users having the skills to evaluate and use the data properly. CHEMTRONICS does not guarantee the accuracy of the data and assumes no liability in connection with damages incurred while using it.